

Rena Air 400 Instructions

IMPORTANT SAFETY INSTRUCTIONS

WARNING - To guard against injury, basic safety precautions should be observed, including the following: **READ AND FOLLOW ALL SAFETY INSTRUCTIONS. Do not use this device for any purpose other than aquariums.** To avoid possible electric shock, special care, should be taken since water is employed in the use of aquarium equipment. For each of the following situations, do not attempt repairs by yourself; return the appliance to an authorized service facility for service or discard the appliance. If the appliance falls in the water, **DON'T** reach for it! First unplug it and then retrieve it. If electrical components of the appliance get wet, unplug the appliance immediately. Carefully examine the appliance after installation. It should not be plugged in if there is water on parts not intended to be wet. Do not operate any appliance if it has a damaged cord or plug, or if it is malfunctioning or has been dropped or damaged in any manner. If the supply cord of this appliance is damaged, it must be replaced by a special cord reference 981268-00. To avoid the possibility of the appliance plug getting wet, a "drip-loop", shown in FIGURE 1 on the other side of this insert, should be arranged by the user. The "drip-loop" is that part of the cord below the level of the receptacle, or the connector if an extension cord is used, to prevent water traveling along the cord and coming in contact with the receptacle. If the plug or receptacle does get wet, **DON'T** unplug the cord. Disconnect the fuse or circuit breaker that supplies power to the appliance. Then unplug and examine for presence of water in the receptacle. Close supervision is necessary when any appliance is used by or near children. Always unplug an appliance from an outlet when not in use, before putting on or taking off parts and before cleaning. Never pull cord to unplug from outlet. Grasp the plug and pull to disconnect. The use of attachments not recommended or sold by the appliance manufacturer may cause an unsafe condition. Do not install or store the appliance where it will be exposed to the weather or to temperatures below freezing. Make sure any appliance mounted on an aquarium is securely installed before operating it. Read and observe all the important notices on the appliance. If an extension cord is necessary, care should be taken to arrange, the cord so that it will not be tripped over or pulled.

OPERATING INSTRUCTIONS: For indoor use only. Save these instructions.

To prevent any back flow of water into the unit when off, it is advisable to install the pump above the water level (FIGURE 2). Otherwise either form a six inch (15 cm) loop above the water level with the air line (FIGURE 3). For the **Rena Air 400** model, a non-return check valve. (FIGURE 4) may also be used. The Rena Air 400 is equipped with an **adjustment knob for each side that can be turned** to control the air flow.

Note: All Rena Air Pumps with UL and/or cUL marks are identified on the bottom of the pump as "Type A". For example, the Rena Air 400 is identified as "Rena Air 400A".

RENA LIMITED WARRANTY

The **Rena** product that you have purchased is warranted against defects of material and workmanship for one (1) year after the date of purchase. Our responsibility and liability is limited to replacing any such defective product. This warranty does not cover or apply to improper use or installation, failure to follow or comply with the enclosed instructions or if the product has been tampered with or altered.

To obtain performance under this warranty, you carefully pack the product, enclose the original purchase receipt, a note describing the defect or malfunction, along with \$2.00 for postage and handling, and return it to our U.S. distributor: Aquarium Pharmaceuticals, Inc., 50 East Hamilton Street, Chalfont, PA 18914, Attn: Warranty. No representative has any authority to change or enlarge the above warranty or our liability. This warranty gives you specific legal rights and you also may have other rights, which vary from state to state.

WE EXCLUDE AND ARE NOT RESPONSIBLE FOR ANY CONSEQUENTIAL DAMAGES (SUCH AS DAMAGE TO OR LOSS OF FISH, ANIMATE MATTER OR PERSONAL PROPERTY) NOR FOR ANY INCIDENTAL DAMAGES ARISING OUT OF THE BREACH OF ANY EXPRESSED, WRITTEN OR IMPLIED WARRANTY OR WHICH RELATES TO OUR PRODUCT.

Some states do not allow the exclusion of limitation of incidental or consequential damages, so the above limitation or exclusion may not apply to you. RENA FRANCE Annecy, France

Stock Parts List for RA100, 200,300

702C1 6 pack air filters for all pumps

702D1 Tune up kit for RA300-400 includes diaphragm and valve block

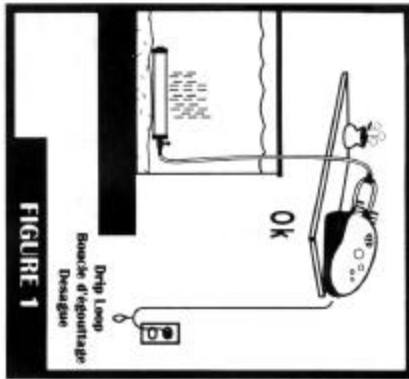


FIGURE 1

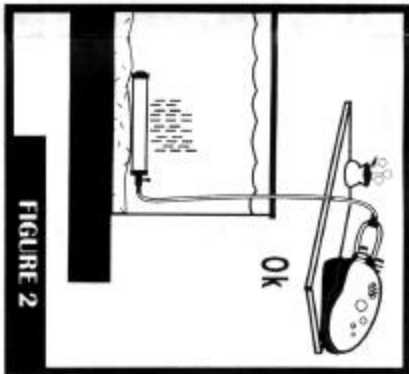


FIGURE 2

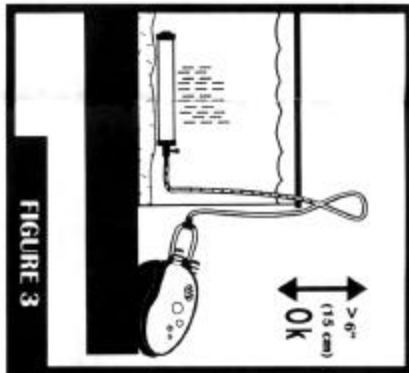


FIGURE 3

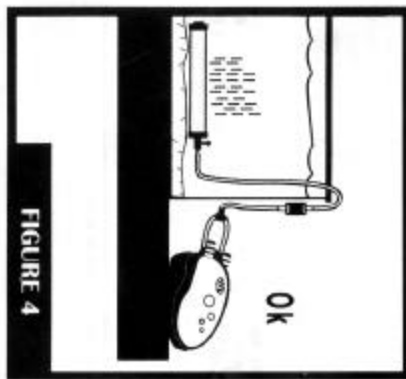


FIGURE 4

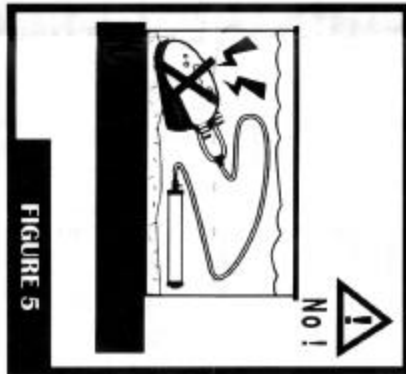


FIGURE 5

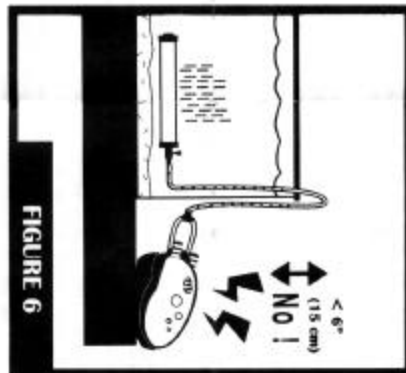
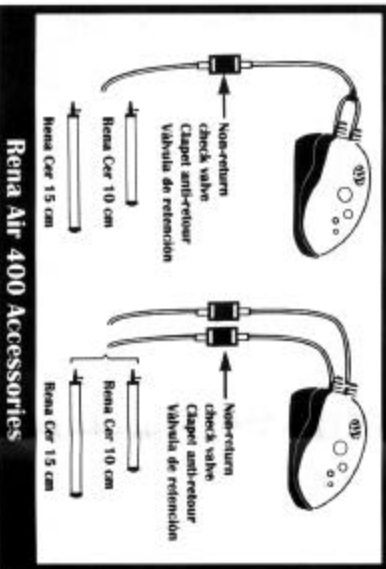
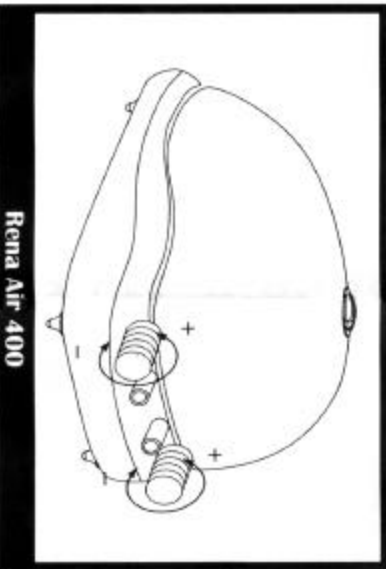


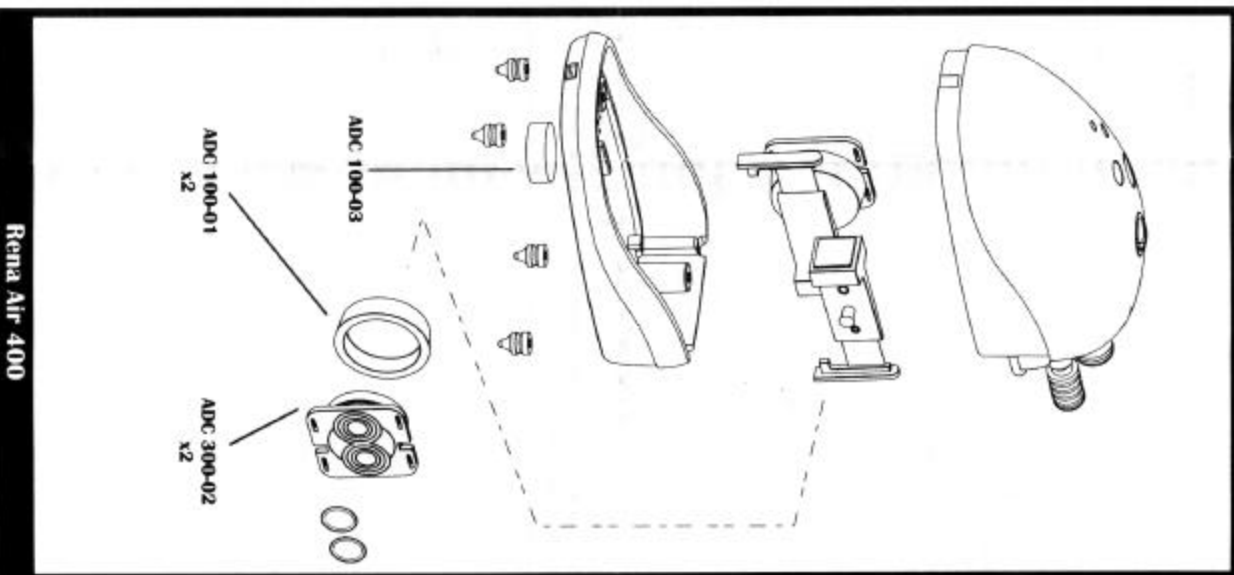
FIGURE 6



Rena Air 400 Accessories



Rena Air 400



Rena Air 400